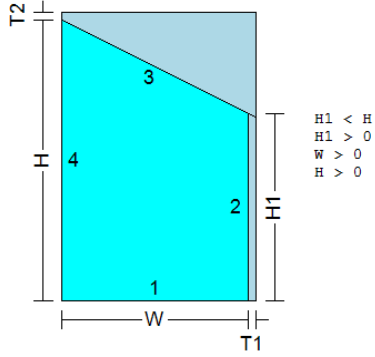
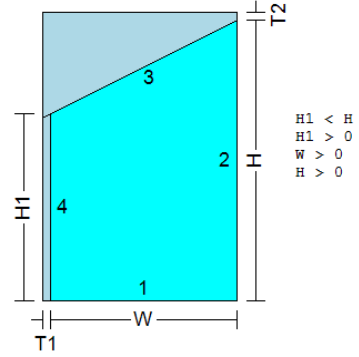


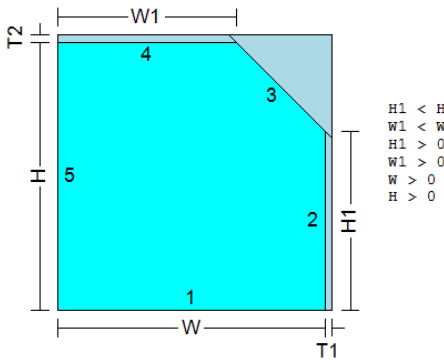
SHAPE 1



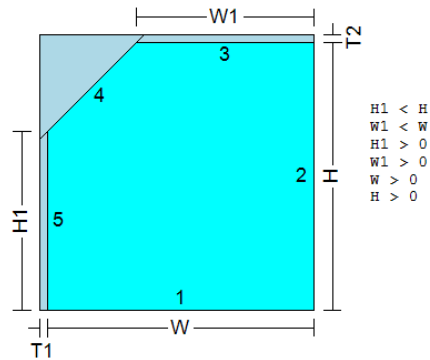
SHAPE 2



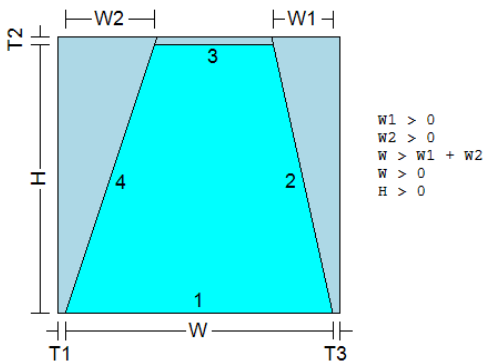
SHAPE 3



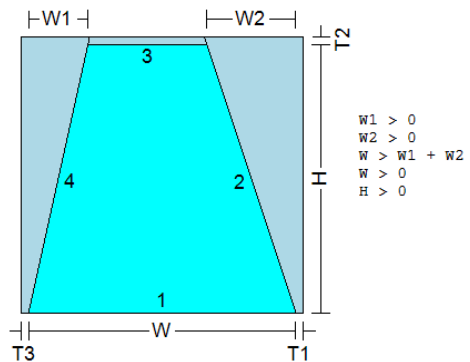
SHAPE 4



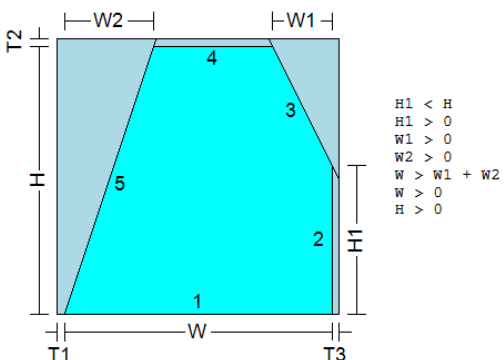
SHAPE 5



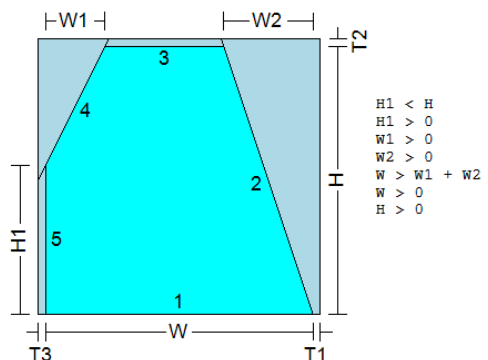
SHAPE 6



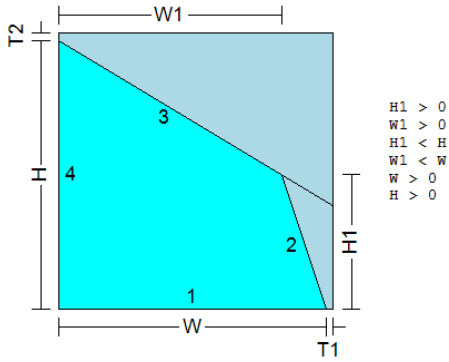
SHAPE 7



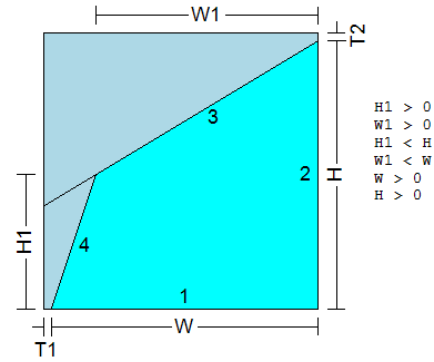
SHAPE 8



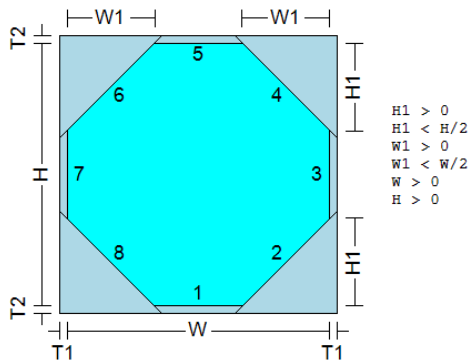
SHAPE 17



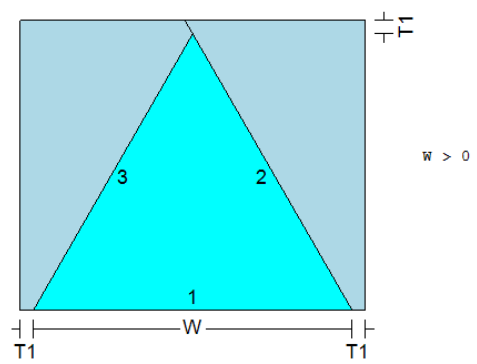
SHAPE 18



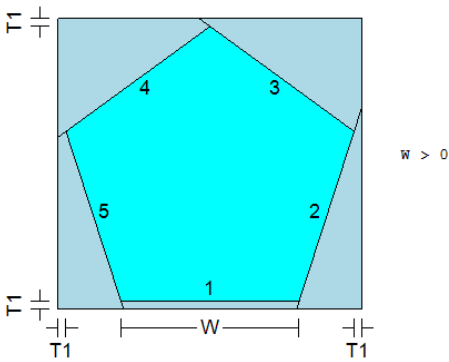
SHAPE 19



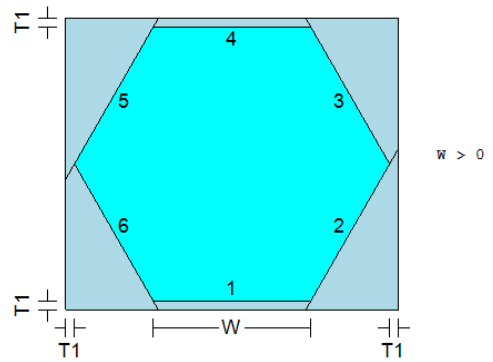
SHAPE 20



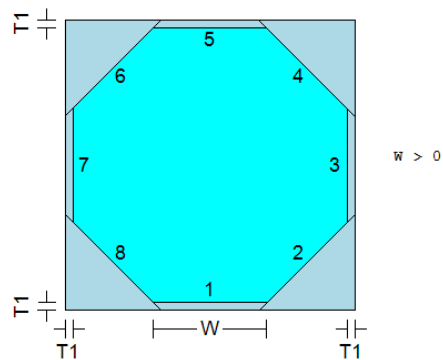
SHAPE 21



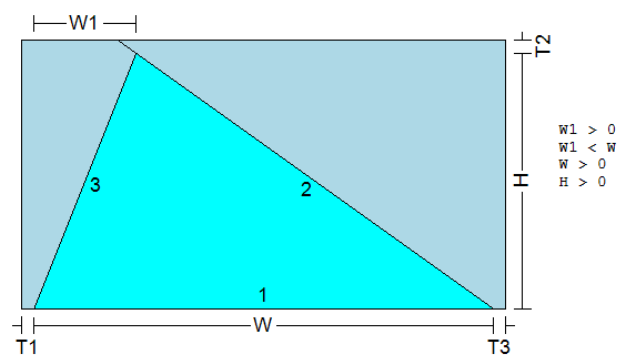
SHAPE 22



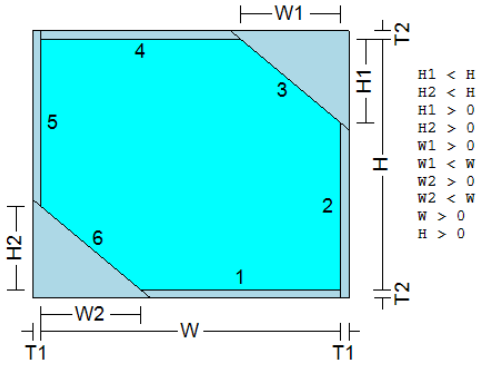
SHAPE 24



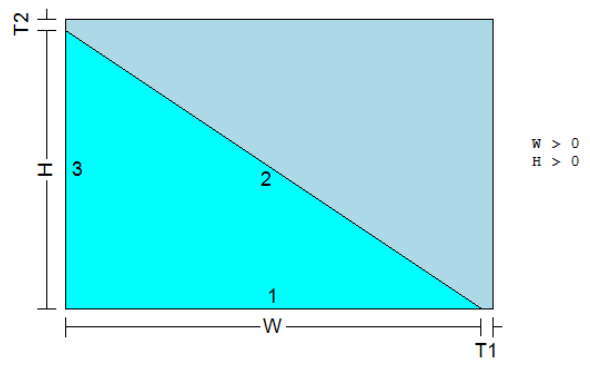
SHAPE 25



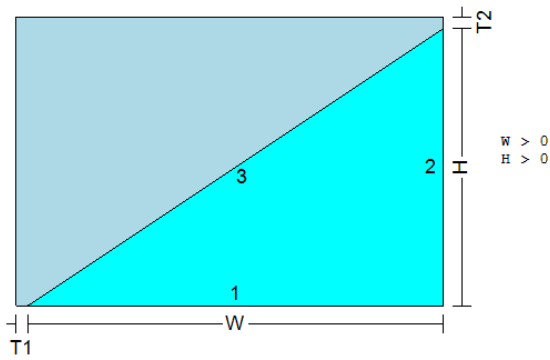
SHAPE 44



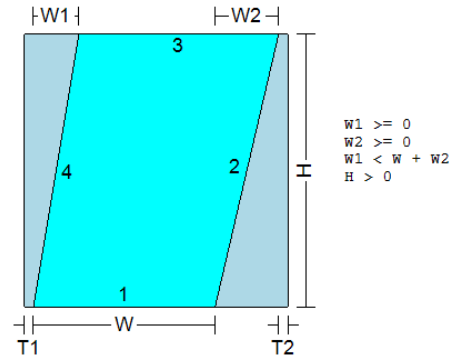
SHAPE 45



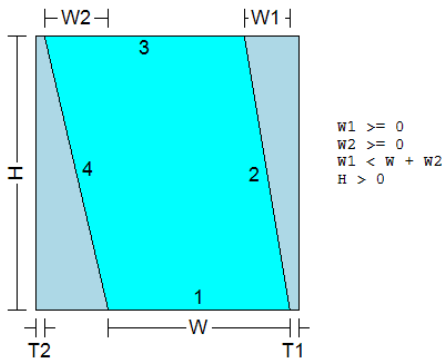
SHAPE 46



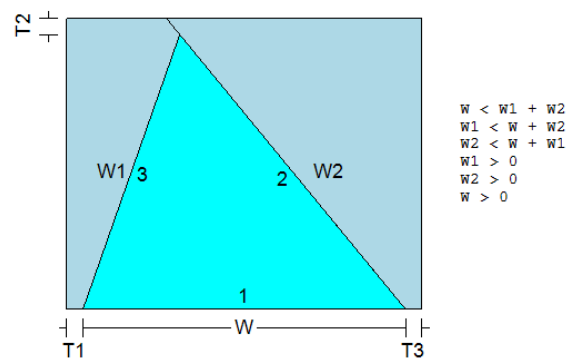
SHAPE 47



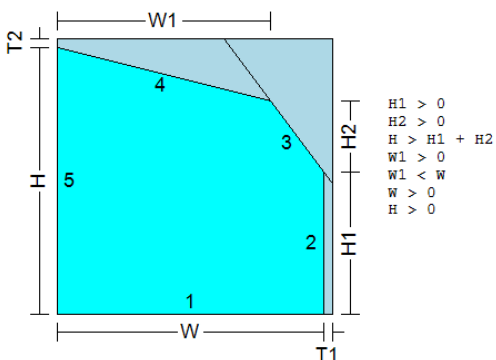
SHAPE 48



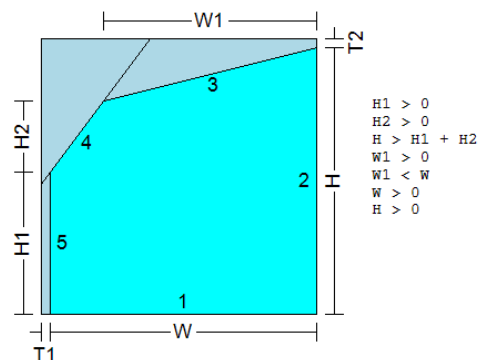
SHAPE 51



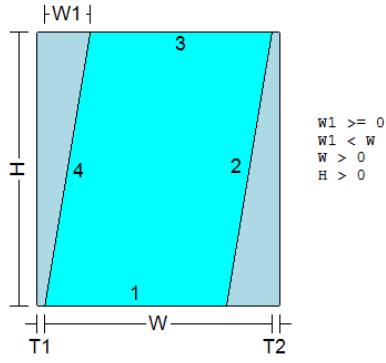
SHAPE 53



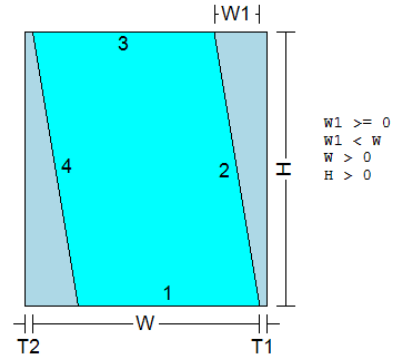
SHAPE 54



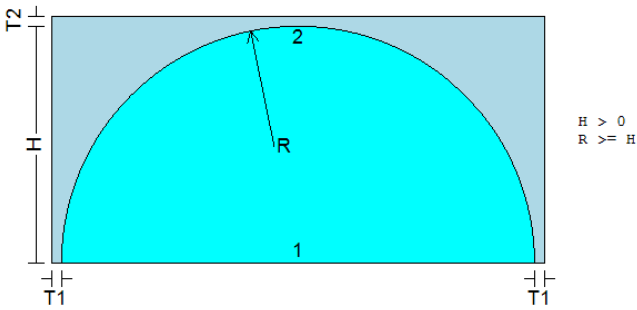
SHAPE 57



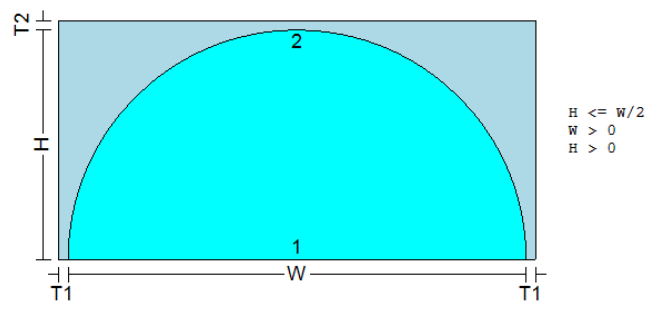
SHAPE 58



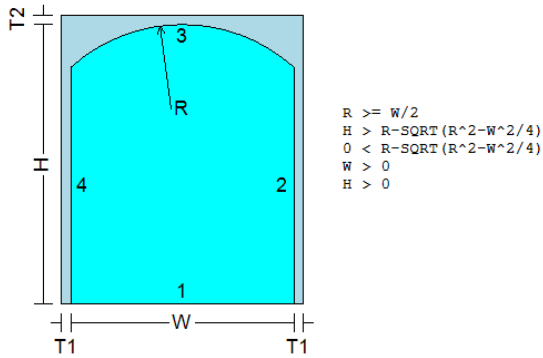
SHAPE 62



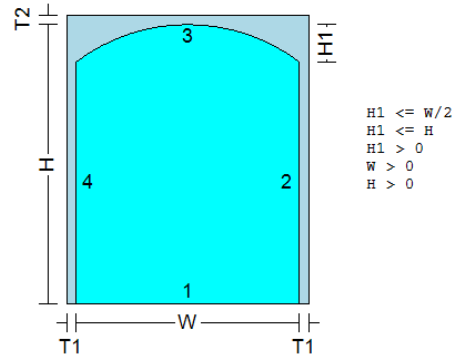
SHAPE 63



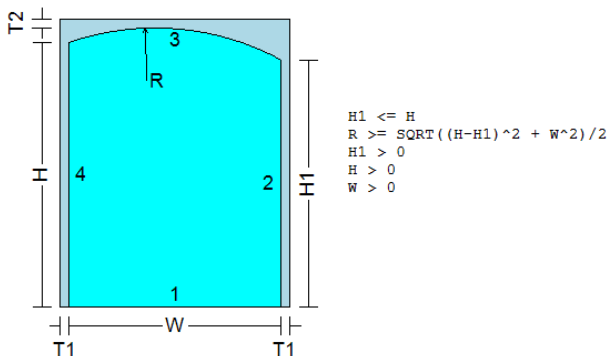
SHAPE 64



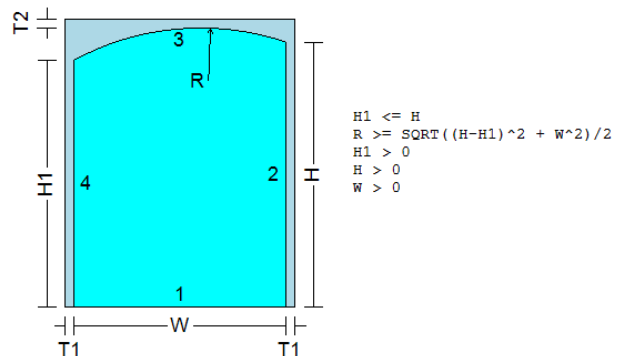
SHAPE 65



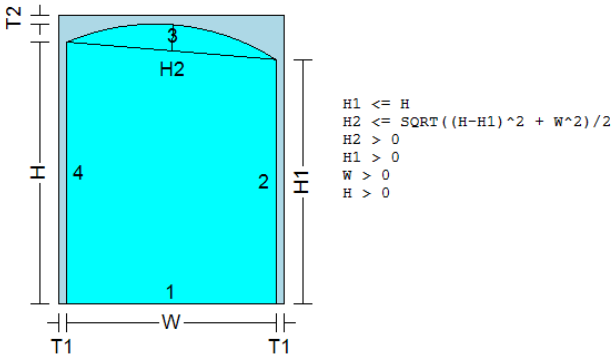
SHAPE 66



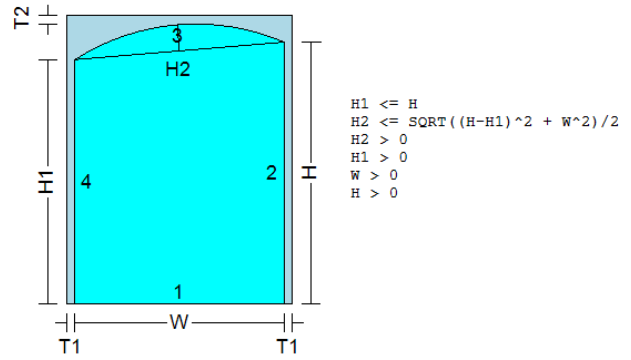
SHAPE 67



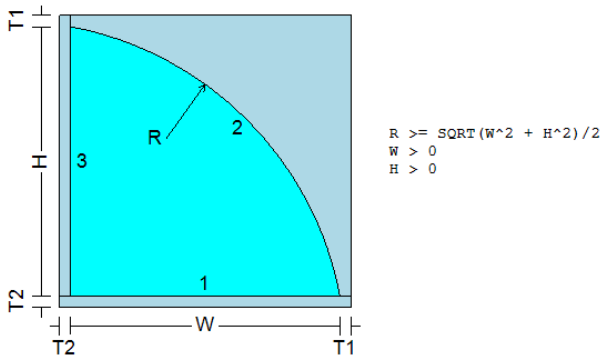
SHAPE 68



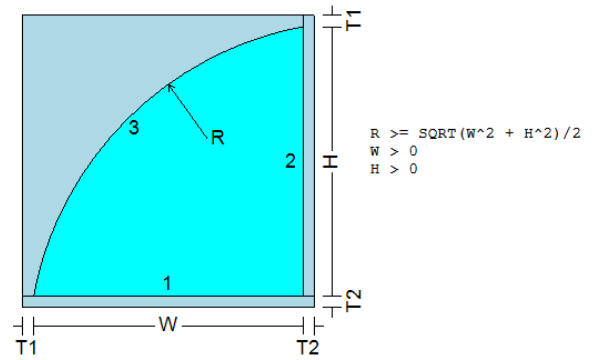
SHAPE 69



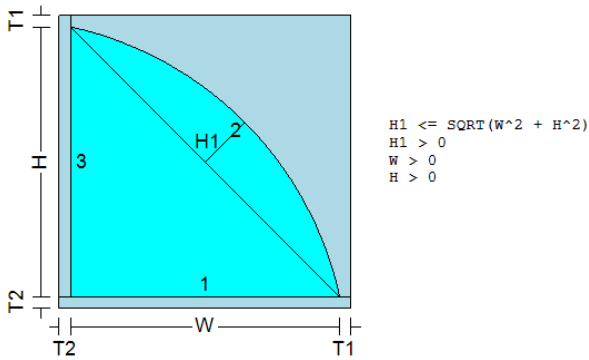
SHAPE 70



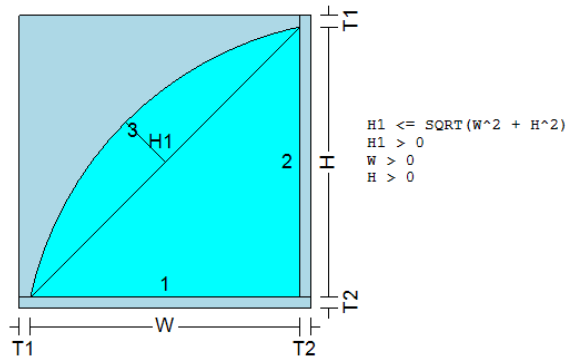
SHAPE 71



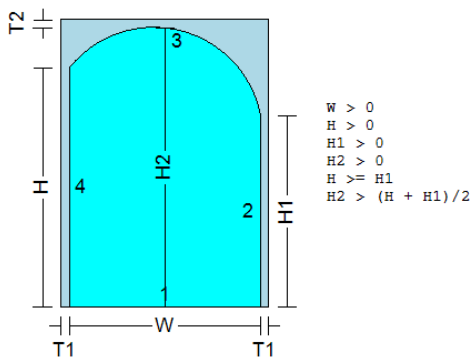
SHAPE 72



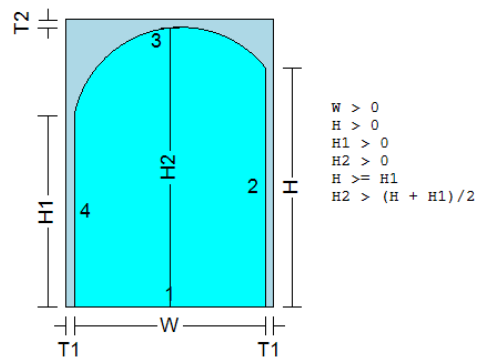
SHAPE 73



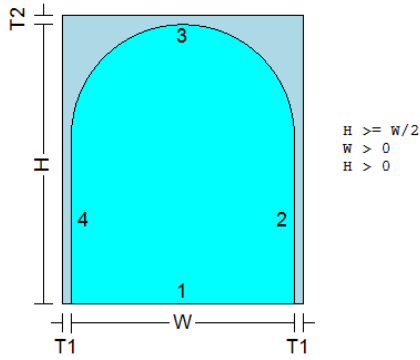
SHAPE 76



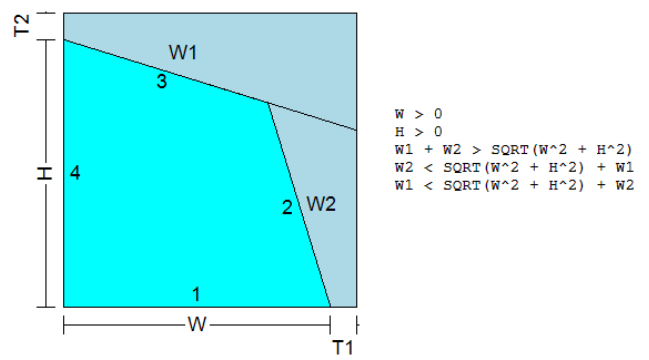
SHAPE 77



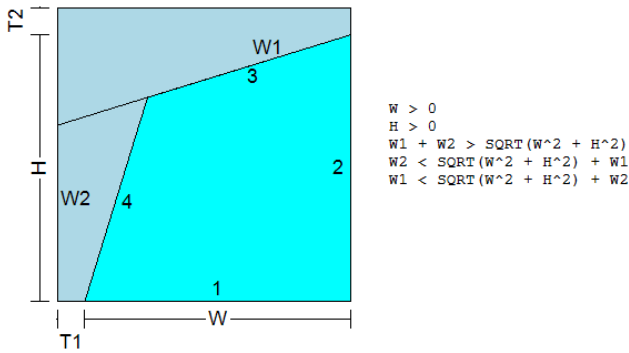
SHAPE 78



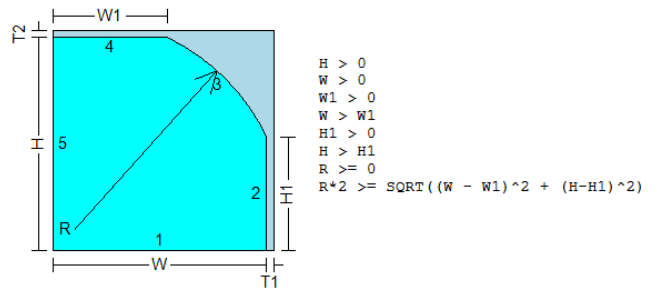
SHAPE 100



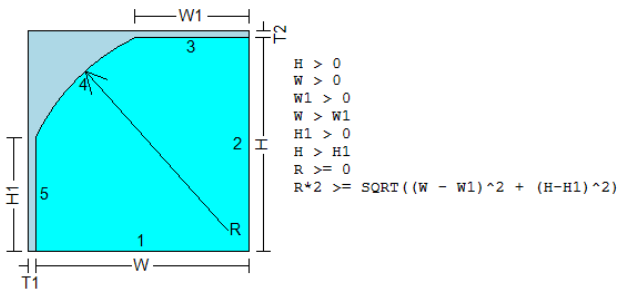
SHAPE 101



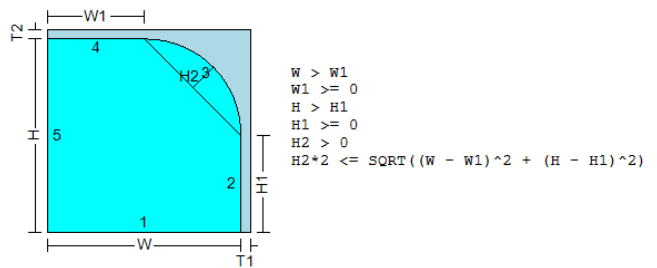
SHAPE 152



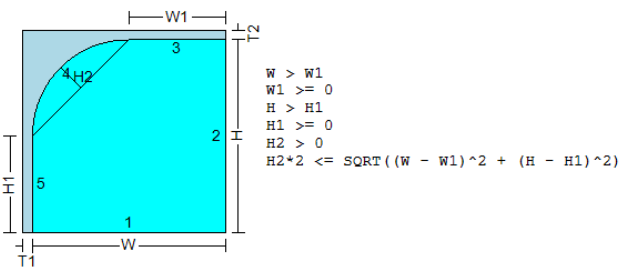
SHAPE 153



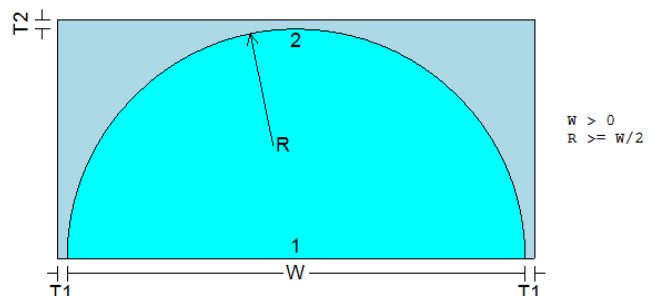
SHAPE 154



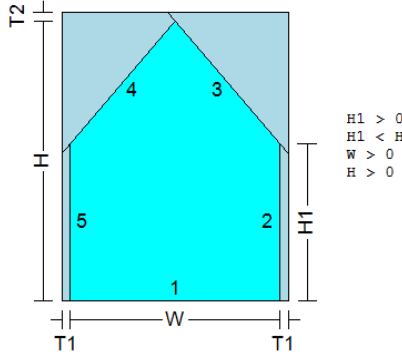
SHAPE 155



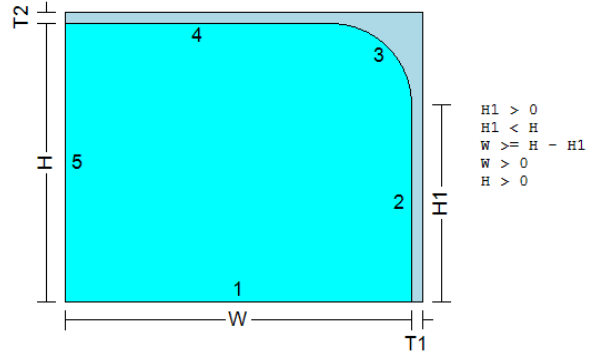
SHAPE 160



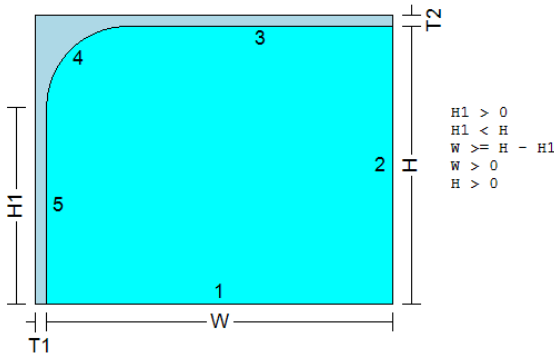
SHAPE 215



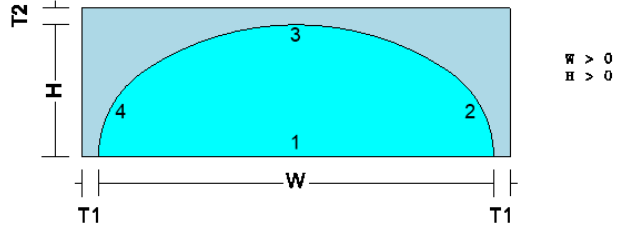
SHAPE 254



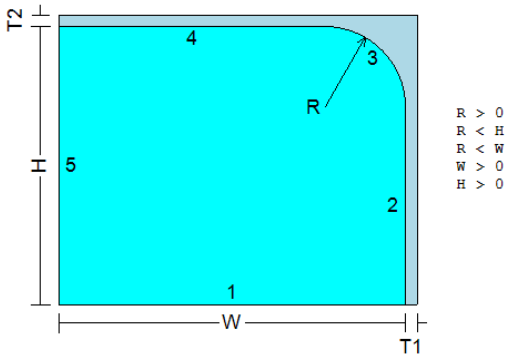
SHAPE 255



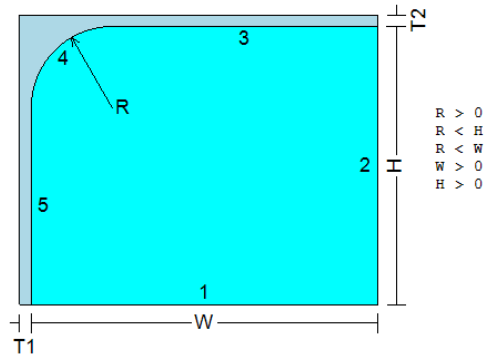
SHAPE 263



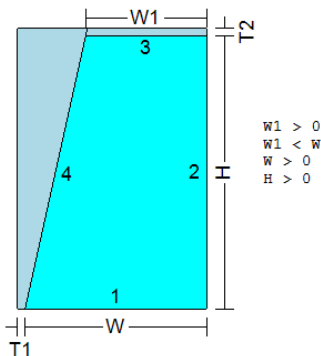
SHAPE 277



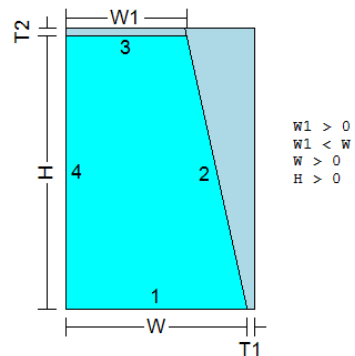
SHAPE 278



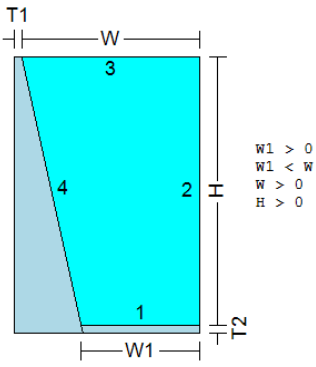
SHAPE 301



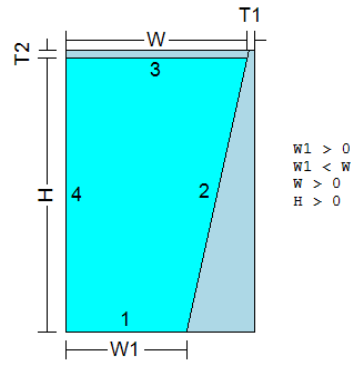
SHAPE 302



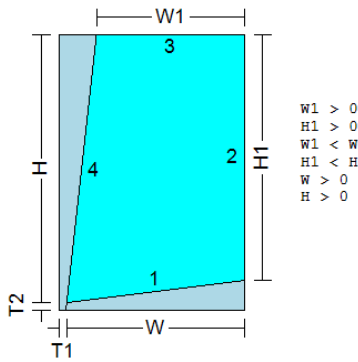
SHAPE 303



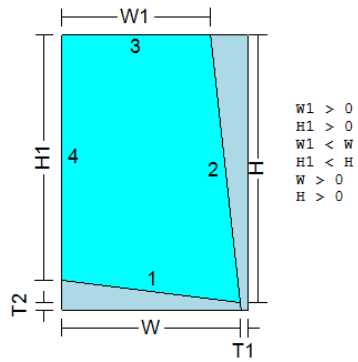
SHAPE 304



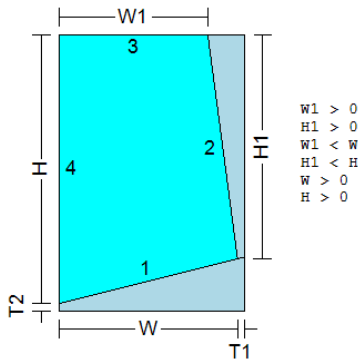
SHAPE 305



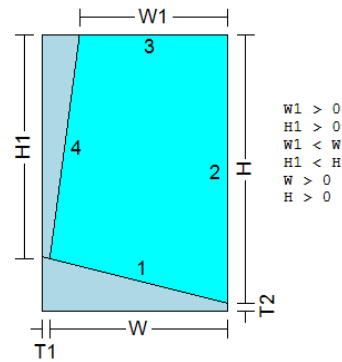
SHAPE 306



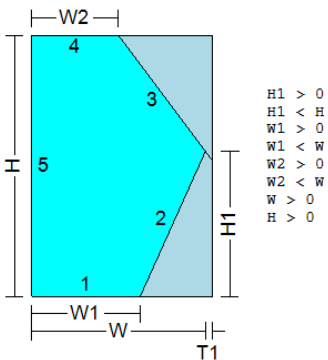
SHAPE 307



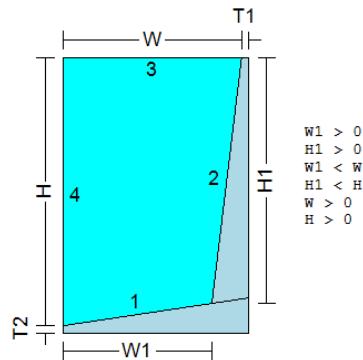
SHAPE 308



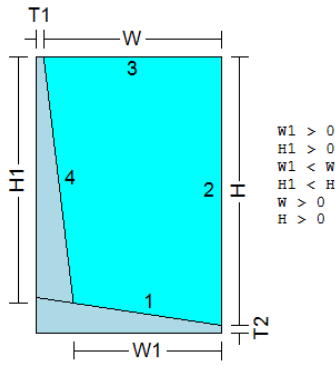
SHAPE 309



SHAPE 311

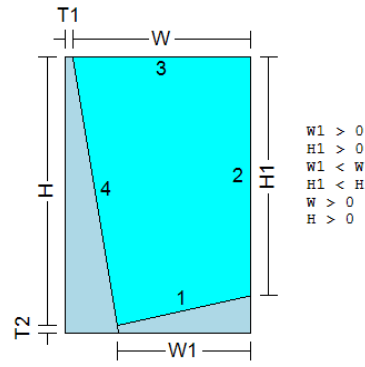


SHAPE 312



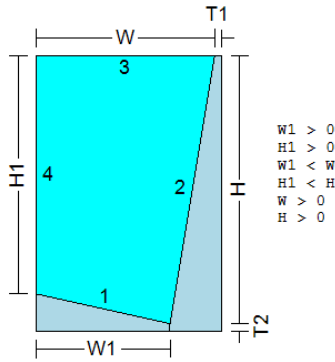
W1 > 0
H1 > 0
W1 < W
H1 < H
W > 0
H > 0

SHAPE 313



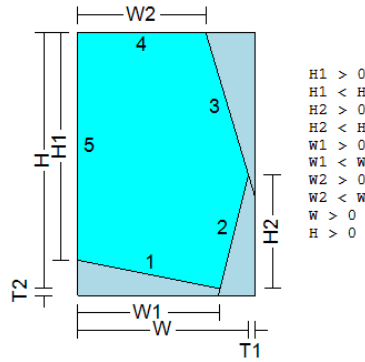
W1 > 0
H1 > 0
W1 < W
H1 < H
W > 0
H > 0

SHAPE 314



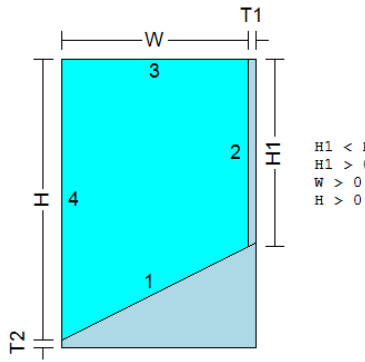
W1 > 0
H1 > 0
W1 < W
H1 < H
W > 0
H > 0

SHAPE 315



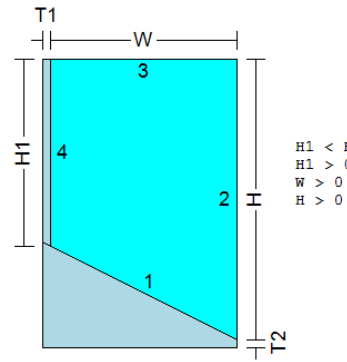
H1 > 0
H1 < H
H2 > 0
H2 < H
W1 > 0
W1 < W
W2 > 0
W2 < W
W > 0
H > 0

SHAPE 319



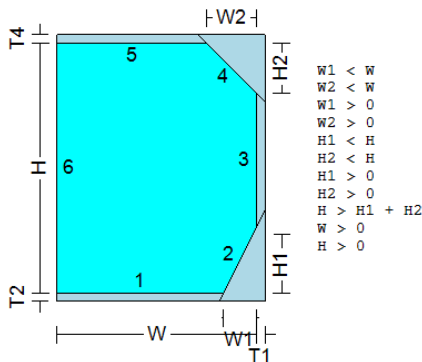
H1 < H
H1 > 0
W > 0
H > 0

SHAPE 320



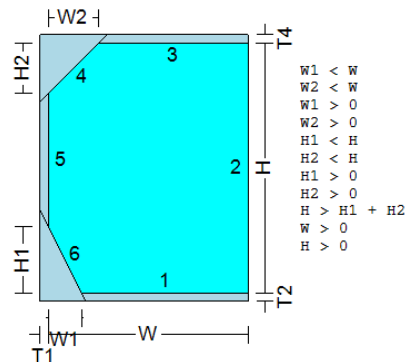
H1 < H
H1 > 0
W > 0
H > 0

SHAPE 344



W1 < W
W2 < W
W1 > 0
W2 > 0
H1 < H
H2 < H
H1 > 0
H2 > 0
H > H1 + H2
W > 0
H > 0

SHAPE 345



W1 < W
W2 < W
W1 > 0
W2 > 0
H1 < H
H2 < H
H1 > 0
H2 > 0
H > H1 + H2
W > 0
H > 0

